

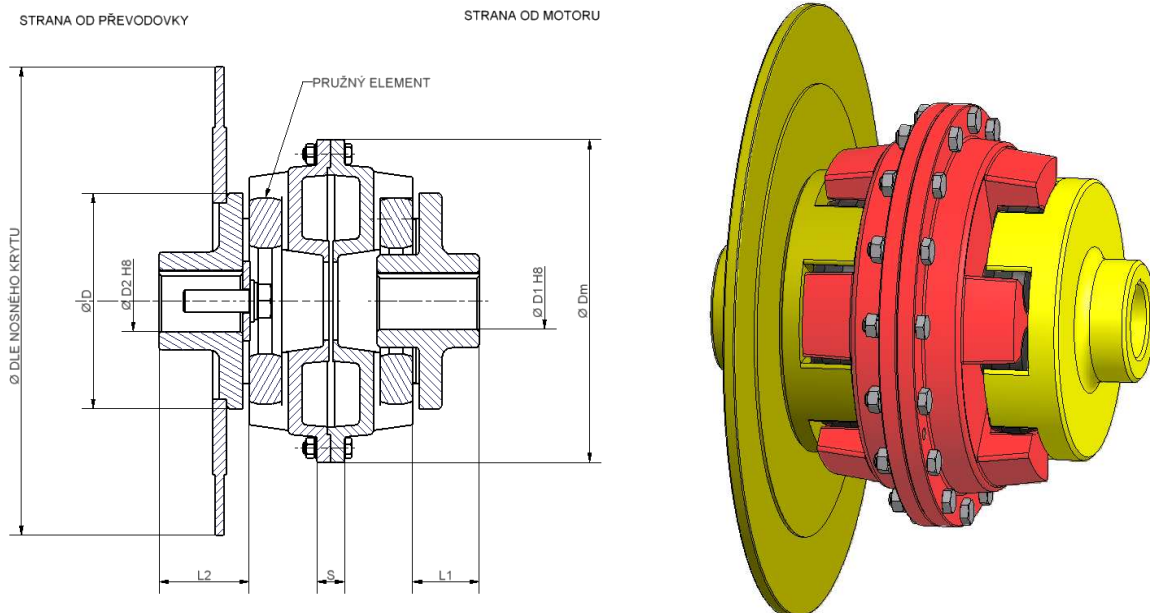
Flexible Double Clutch Type SPOK

The flexible double clutch serves for the transmission of the power from 75 up to 250kW by the revolutions from 800 to 3000 r.p.m.

The main advantage of this clutch is its high axial and radial compliance:

- axial compliance ΔKr short-term 10 mm long-term 4,5 mm
- radial compliance ΔKa short-term 0,8 mm long-term 0,5 mm
- angular compliance ΔKu short-term 5 ° long-term 1,5 °

Marking	max. transmitted output by 1500 r.p.m.	D	Dm	D1	D2
	(kW)	(mm)	(mm)	(mm)	(mm)
SPOK-75-70-ST-(A)	75kW	315	385	70	75
SPOK-75-75-ST-(A)	100kW	315	385	75	75
SPOK-90-90-ST-(A)	200kW	315	385	90	90
SPOK-100-100-ST-(A)	250kW	315	385	100	100



For placing an order of non-standard clutch SPOK-D2-D1-L2-L1-(A)-kW

- (A) 1 - without the braking disc
2 - with the braking disc