

Wreath Line – Type DS-TG

General description:

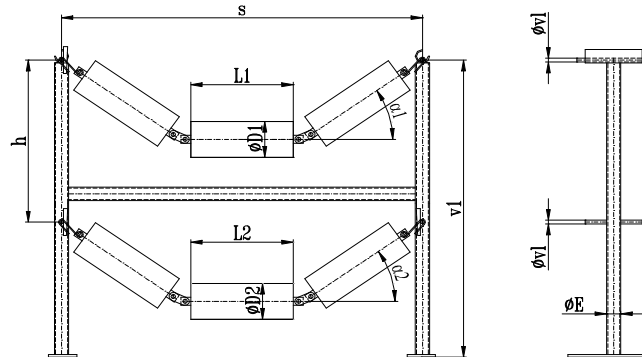
Light version: the saddles spacings are 3000 mm, on the upper part of the saddle there is a rope laid, the upper wreaths are hung on this rope (spacing 1000 mm)

Heavy version: the saddles are installed in distances of 1000 mm and they are individually anchored. The saddle height is adjustable and the saddles can be lengthwise connected.

Main dimensions:

Belt covering width	Rollers diameter D	Slant angle	
		Upper branch	Lower branch
(mm)	(mm)	(°)	(°)
1000	108 (89, 133, 159)	40° (42°, 44°)	15° (40°)
1200	108 (89, 133, 159)	40° (42°, 44°)	15° (40°)
1400	133 (108, 159, 196)	40° (42°, 44°)	15° (40°)
1600	159 (133, 196)	40° (42°, 44°)	15° (40°)
1800	159 (133, 196)	40° (42°, 44°)	15° (40°)

Light version DS-TGL:



Heavy version DS-TGT :

